

► Tent Rental Companies

Surface	70 m <sup>2</sup>	100 m <sup>2</sup>						
Side height	2,91 m							



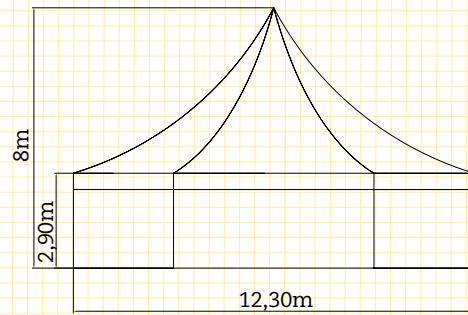
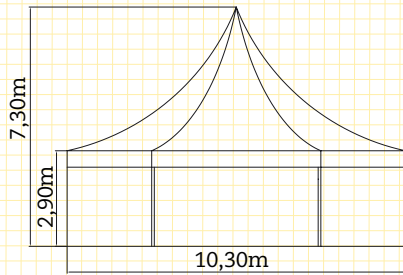
In addition you can finish the hall as you choose amongst others with **doors, glass windows, gothic windows, PVC panels, decoration, flooring, guttering.**

Accessories

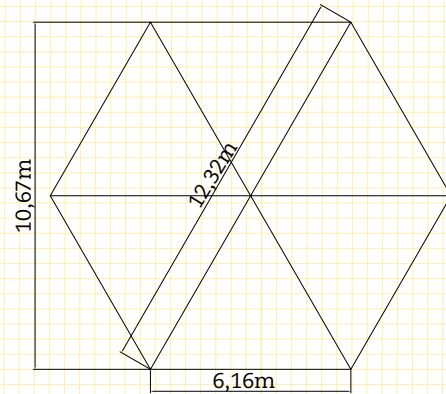
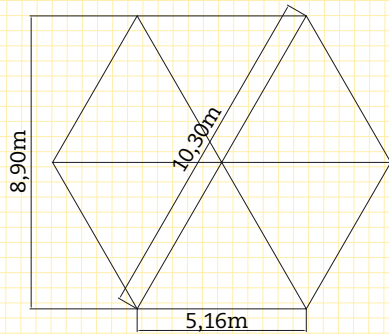
The Vienna hexagonal tent with an attractive peaked roof is ideal for private parties, garden parties, receptions, or elegant tent villages.

This hexagonal tent will give your event that little bit extra.

## Cross section drawing



## Ground plan



## Construction

It is a self-supporting anodised aluminium construction that rests on galvanised steel base-plates and ground beams. The standard anchoring is realised with stakes. All parts are connected with pins for quick and easy installation. The stability is ensured using wind bracing. The construction is available with a floating or centre pole. The structure is subject to the most important international building standards (e.g. the British "Building Codes", the Germany "Prüfbuch" standard, the French "Extrait du registre de sécurité", etc.).

## Roof fabric

The roof fabric is made from PVC coated polyester fabric (white translucent, white non-translucent or colour). The roof fabric is stretched with tension tubes and fabric tensioners. Flame retardant according to the French standard M2, German standard DIN 4102 B1 and British Standard BS 5438. The fabric is UV-stabilised and treated against deterioration due to rot and mildew.

## Sidewalls

The sidewall fabrics are made from PVC coated polyester fabric (white translucent, white non-translucent or colour). Flame retardant according to the French standard M2, German standard DIN 4102 B1 and British Standard BS 5438. The fabric is UV-stabilised and treated against deterioration due to rot and mildew. One sidewall of 5 m or 6 m is made from two sections, of 2.5 m or 3 m, which are connected with a zip. The sidewall slides into the leg with a keder in the keder tracks. The sidewall is attached to the ground beam with straps and at the top the sidewall is slid into the side purlin with keder sections. This prevents the fabric from flapping in strong winds.

### Technical specifications

Technical specifications		
Surface	70 m <sup>2</sup>	100 m <sup>2</sup>
Side height	2,90 m	
Ridge height	7,3 m	8 m

